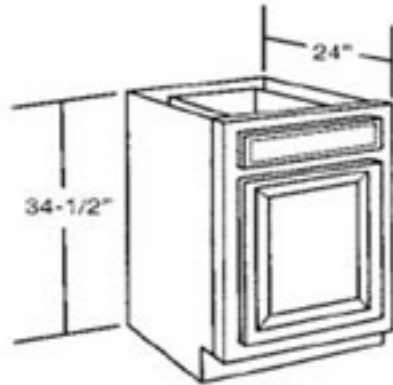




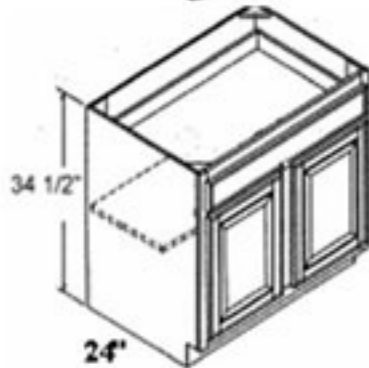
CABINET LIST AND SPECIFICATIONS—Line “A”

BASE CABINETS



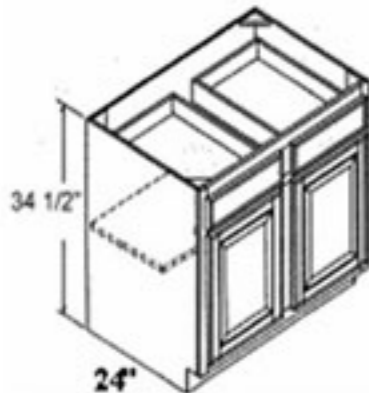
BASE - SINGLE DOOR/SINGLE DRAWER CABINETS

- B09 9"w x 34.5"h x 24"d - Single Door Base Cabinet - 1 Shelf + 1 Drawer
- B12 12"w x 34.5"h x 24"d - Single Door Base Cabinet - 1 Shelf + 1 Drawer
- B15 15"w x 34.5"h x 24"d - Single Door Base Cabinet - 1 Shelf + 1 Drawer
- B18 18"w x 34.5"h x 24"d - Single Door Base Cabinet - 1 Shelf + 1 Drawer
- B21 21"w x 34.5"h x 24"d - Single Door Base Cabinet - 1 Shelf + 1 Drawer



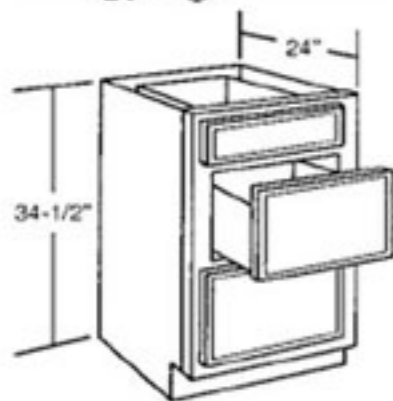
BASE - DOUBLE DOOR/SINGLE DRAWER CABINETS

- B24 24"w x 34.5"h x 24"d - Double Door Base Cabinet - 1 Shelf + 1 Drawer
- B27 27"w x 34.5"h x 24"d - Double Door Base Cabinet - 1 Shelf + 1 Drawer
- B30 30"w x 34.5"h x 24"d - Double Door Base Cabinet - 1 Shelf + 1 Drawer



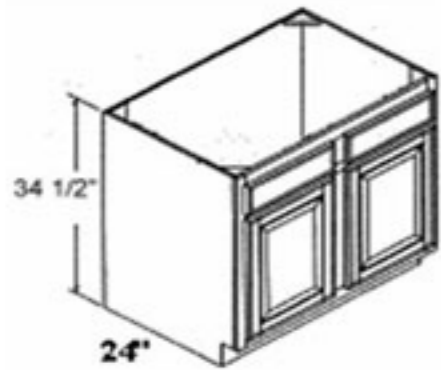
BASE - DOUBLE DOOR/DOUBLE DRAWER CABINETS

- B33 33"w x 34.5"h x 24"d - Double Door Base Cabinet - 1 Shelf + 2 Drawers
- B36 36"w x 34.5"h x 24"d - Double Door Base Cabinet - 1 Shelf + 2 Drawers



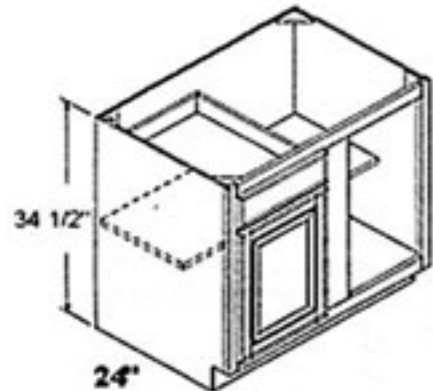
BASE - 3 DRAWER BASE CABINETS

- DB12 12"w x 34.5"h x 24"d - 3 Drawer Base Cabinet
- DB15 15"w x 34.5"h x 24"d - 3 Drawer Base Cabinet
- DB18 18"w x 34.5"h x 24"d - 3 Drawer Base Cabinet
- DB21 21"w x 34.5"h x 24"d - 3 Drawer Base Cabinet
- DB24 24"w x 34.5"h x 24"d - 3 Drawer Base Cabinet
- DB30 30"w x 34.5"h x 24"d - 3 Drawer Base Cabinet
- DB36 36"w x 34.5"h x 24"d - 3 Drawer Base Cabinet



BASE - SINK BASE CABINETS

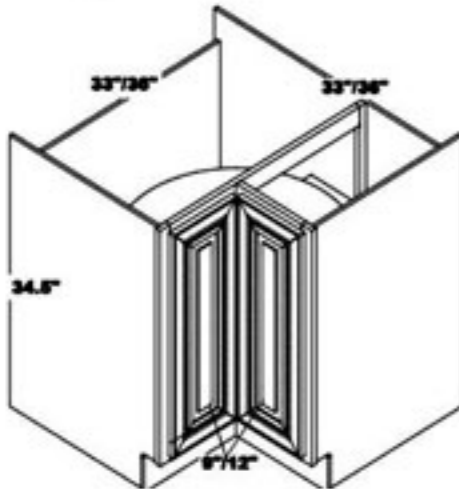
- SB33 33" Double Door Sink Base Cabinet with 2 Faux Drawer Face (without back panel for plumbing access)
- SB36 36" Double Door Sink Base Cabinet with 2 Faux Drawer Face (without back panel for plumbing access)
- SB42 42" Double Door Sink Base Cabinet with 2 Faux Drawer Face (without back panel for plumbing access)



BASE — CORNER CABINETS — BLIND BASE

- BBC33-36 33"wx 34.5"hx24"d - Base Blind Single Door Cabinet with 1 Shelf + 9" Drawer - 36" space required
- BBC36-39 36"wx34.5"hx24"d - Base Blind Single Door Cabinet with 1 Shelf + 12" Drawer - 39" space required
- BBC42-45 42"wx34.5"hx24"d - Base Blind Single Door Cabinet with 1 Shelf + 18" Drawer - 45" space required

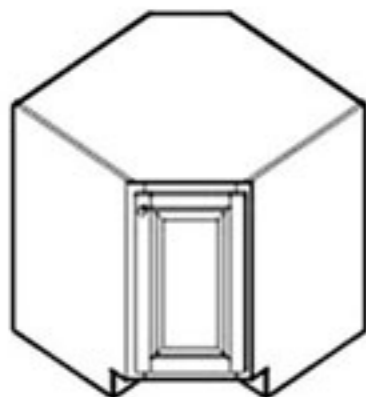
NOTE—Blind Base Cabinets require ~ 3" filler on return side to allow clearance of drawers, etc on return line of cabinets



BASE CORNER CABINETS — LAZY SUSAN

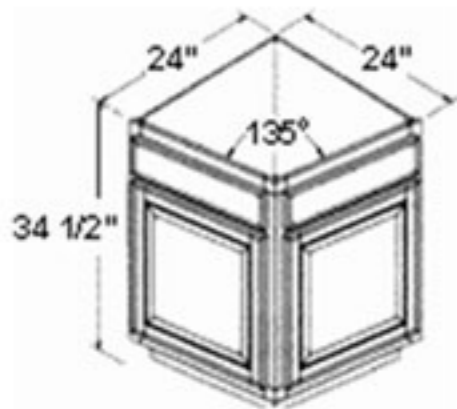
- BLS33 33" Base Lazy Susan - Bi-fold Doors 9" each
- BLS36 36" Base Lazy Susan - Bi-fold Doors 12" each

Lazy Susan corner cabinets come with 2 turntables set on top of shelf and bottom



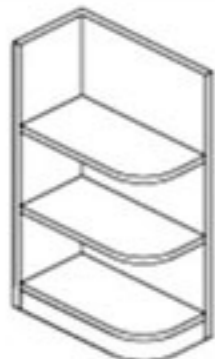
BASE CORNER CABINETS — DIAGONAL CORNER

- DCB36 36" Diagonal Corner Base Cabinet - Single Door with 1 Shelf
- DCB42 42" Diagonal Corner Base Cabinet - Double Door with 1 Shelf



BASE END CABINETS— ANGLED

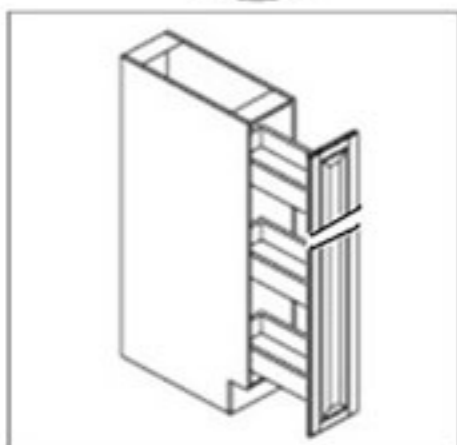
BAC24 24"x 24" Base Angled Cabinet - Double Door - No Drawers—34"h x 24"d



BASE END CABINETS— OPEN SHELF

BES0924 9"w x 34.5"h x 24"d - Base Open End Shelf

NOTE—all styles of cabinetry have BES with simple flat shelves EXCEPT Vintage Glaze and Ginger Glaze which only have BES with a decorative railing around the edge—Modern Chocolate has both the simple flat shelf style and the decorative railing style available



BASE SPICE RACK CABINETS

BPP06 6" Base Spice Rack - Front Pull for full door that looks like door and drawer combo- 2 Shelves

BPP09 9" Base Spick Rack - Front Pull for full door that looks like door and drawer combo- 2 Shelves

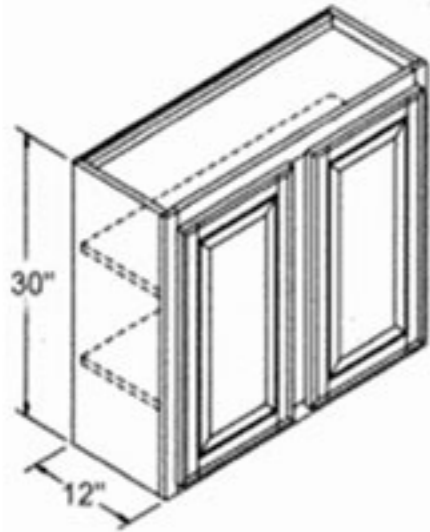


BASE OPEN SLOT CABINET

BR06 6"w x 34.5"H x 24"d - Base Open Slot Cabinet—no doors or drawers

WALL CABINETS

30" TALL STANDARD WALL CABINETS

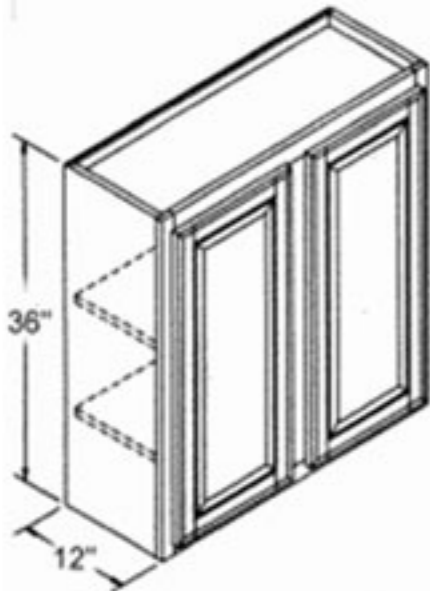


W0930	9"w x 30"h x 12"d - Single Door Wall Cabinet
W1230	12"w x 30"h x 12"d - Single Door Wall Cabinet
W1530	15"w x 30"h x 12"d - Single Door Wall Cabinet
W1830	18"w x 30"h x 12"d - Single Door Wall Cabinet
W2130	21"w x 30"h x 12"d - Single Door Wall Cabinet
W2430	24"w x 30"h x 12"d - Double Door Wall Cabinet
W2730	27"w x 30"h x 12"d - Double Door Wall Cabinet
W3030	30"w x 30"h x 12"d - Double Door Wall Cabinet
W3330	33"w x 30"h x 12"d - Double Door Wall Cabinet
W3630	36"w x 30"h x 12"d - Double Door Wall Cabinet



SINGLE DOOR WALL CABINET

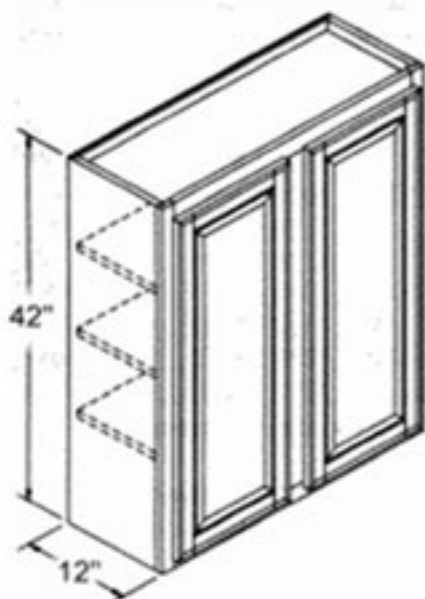
36" TALL STANDARD WALL CABINETS



W0936	9"w x 36"h x 12"d - Single Door Wall Cabinet
W1236	12"w x 36"h x 12"d - Single Door Wall Cabinet
W1536	15"w x 36"h x 12"d - Single Door Wall Cabinet
W1836	18"w x 36"h x 12"d - Single Door Wall Cabinet
W2136	21"w x 36"h x 12"d - Single Door Wall Cabinet
W2436	24"w x 36"h x 12"d - Double Door Wall Cabinet
W2736	27"w x 36"h x 12"d - Double Door Wall Cabinet
W3036	30"w x 36"h x 12"d - Double Door Wall Cabinet
W3336	33"w x 36"h x 12"d - Double Door Wall Cabinet
W3636	36"w x 36"h x 12"d - Double Door Wall Cabinet



SINGLE DOOR WALL CABINET

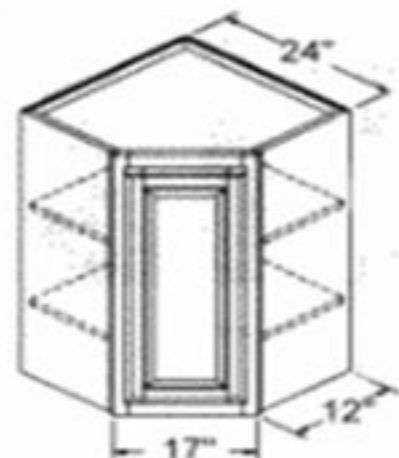


42" TALL STANDARD WALL CABINETS

- W0942 9"w x 42"h x 12"d - Single Door Wall Cabinet
- W1242 12"w x 42"h x 12"d - Single Door Wall Cabinet
- W1542 15"w x 42"h x 12"d - Single Door Wall Cabinet
- W1842 18"w x 42"h x 12"d - Single Door Wall Cabinet
- W2142 21"w x 42"h x 12"d - Single Door Wall Cabinet
- W2442 24"w x 42"h x 12"d - Double Door Wall Cabinet
- W2742 27"w x 42"h x 12"d - Double Door Wall Cabinet
- W3042 30"w x 42"h x 12"d - Double Door Wall Cabinet
- W3342 33"w x 42"h x 12"d - Double Door Wall Cabinet
- W3642 36"w x 42"h x 12"d - Double Door Wall Cabinet

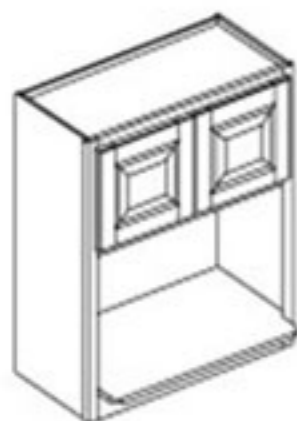


SINGLE DOOR WALL CABINET



DIAGONAL CORNER CABINETS

- WDC2430 24" x 24" Wall Diagonal Single Door Cabinet 30"h
- WDC2436 24" x 24" Wall Diagonal Single Door Cabinet 36"h
- WDC2442 24" x 24" Wall Diagonal Single Door Cabinet 42"h

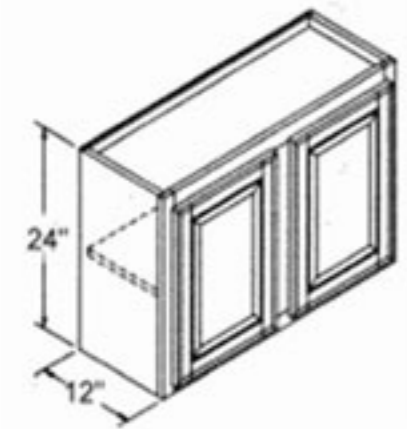
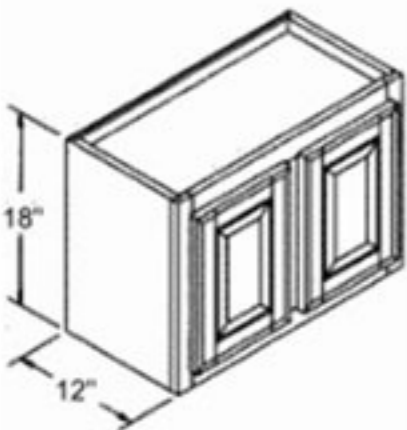
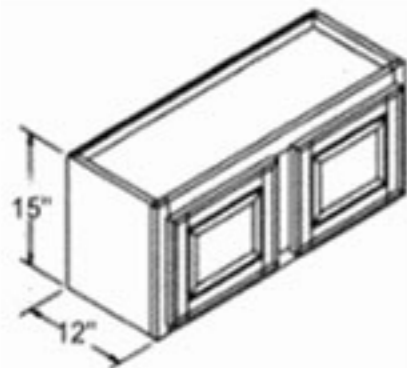
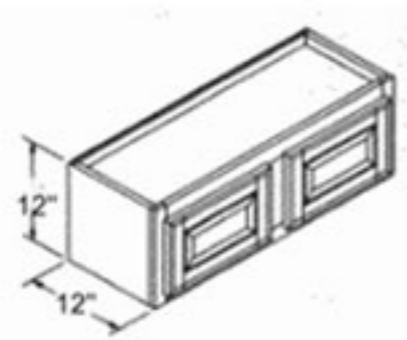


MICROWAVE WALL CABINET

- WMC2730 27"w x 30"h x 12"d - Double Door Wall Cabinet with 17 1/2" d Shelf — Micro opening approx 15" h x 24" w
- WMC2736 27"w x 36"h x 12"d - Double Door Wall Cabinet with 17 1/2" d Shelf— Micro opening approx 15" h x 24" w
- WMC2742 27"w x 42"h x 12"d - Double Door Wall Cabinet with 17 1/2" d Shelf — Micro opening approx 15" h x 24" w

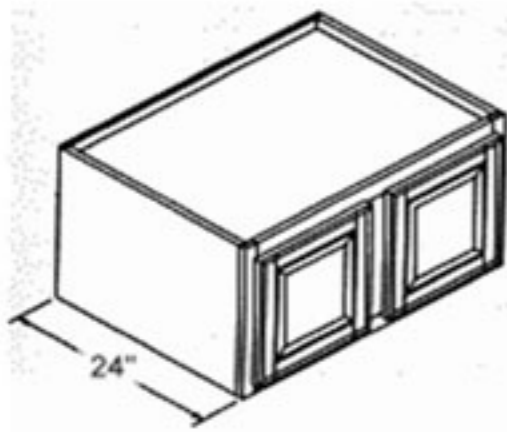
BLIND CORNER CABINETS

Use 27" Wall Cabinet, - remove one door and use filler as center stile—needs filler at the return angle also



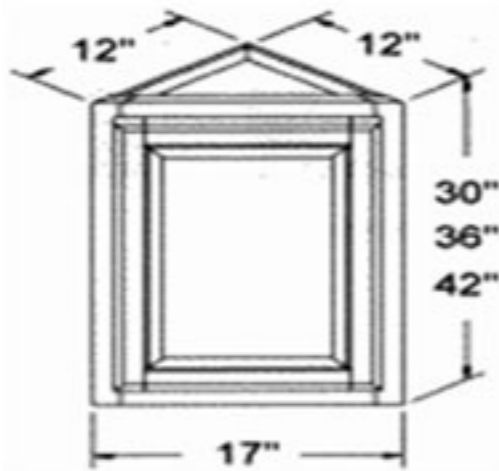
BRIDGE CABINETS - 12" DEEP

W3012	30"w x 12"h x 12"d - Double Door Wall Bridge Cabinet
W3015	30"w x 15"h x 12"d - Double Door Wall Bridge Cabinet
W3018	30"w x 18"h x 12"d - Double Door Wall Bridge Cabinet
W3024	30"w x 24"h x 12"d - Double Door Wall Bridge Cabinet
W3612	36"w x 12"h x 12"d - Double Door Wall Bridge Cabinet
W3615	36"w x 15"h x 12"d - Double Door Wall Bridge Cabinet
W3618	36"w x 18"h x 12"d - Double Door Wall Bridge Cabinet
W3624	36"w x 24"h x 12"d - Double Door Wall Bridge Cabinet
W3915	39"w x 15"h x 12"d - Double Door Wall Bridge Cabinet - limited inventory
W3918	39"w x 18"h x 12"d - Double Door Wall Bridge Cabinet - limited inventory
W3924	39"w x 24"h x 12"d - Double Door Wall Bridge Cabinet - limited inventory



BRIDGE CABINETS - 24" DEEP

W361224	36"w x 15"h x 24"d - Double Door Wall Bridge Cabinet
W361524	36"w x 15"h x 24"d - Double Door Wall Bridge Cabinet
W361824	36"w x 18"h x 24"d - Double Door Wall Bridge Cabinet
W362424	36"w x 24"h x 24"d - Double Door Wall Bridge Cabinet



WALL END CABINETS—ANGLED

WAC1230	12"w x 30"h x 12"d - Single Door - Wall Angled End Cabinet
WAC1236	12"w x 36"h x 12"d - Single Door - Wall Angled End Cabinet
WAC1242	12"w x 42"h x 12"d - Single Door - Wall Angled End Cabinet



WALL END CABINETS—OPEN SHELF

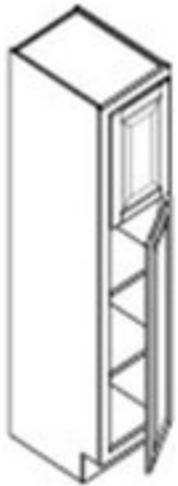
WES0630	6"w x 30"h x 12"d Wall Open End Shelf
WES0636	6"w x 36"h x 12"d Wall Open End Shelf
WES0642	6"w x 42"h x 12"d Wall Open End Shelf

NOTE—all styles of cabinetry have WES with simple flat shelves EXCEPT Vintage Glaze and Ginger Glaze which only have WES with a decorative railing around the edge—Modern Chocolate has both the simple flat shelf style and the decorative railing style available

PANTRY CABINETS

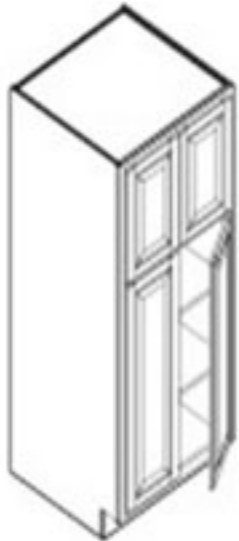
SINGLE DOOR PANTRIES - ONE UPPER and ONE LOWER DOOR

PC1884	18"w x 84h x 24"d - Single Door Pantry - Upper Opening 27 1/2"h - Bottom Opening 47"h
PC1890	18"w x 90h x 24"d - Single Door Pantry - Upper Opening 33 1/2"h - Bottom Opening 47"h
PC1896	18"w x 96h x 24"d - Single Door Pantry - Upper Opening 39 1/2"h - Bottom Opening 47"h



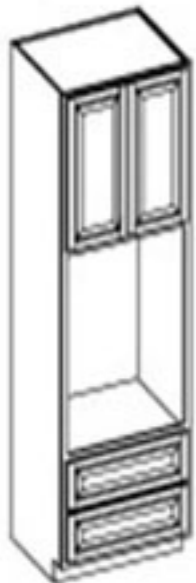
DOUBLE DOOR PANTRIES - TWO UPPER and TWO LOWER DOORS

PC2484	24"w x 84h x 24"d - Double Door Pantry - Upper Opening 27 1/2"h - Bottom Opening 47"h
PC2490	24"w x 90h x 24"d - Double Door Pantry - Upper Opening 33 1/2"h - Bottom Opening 47"h
PC2496	24"w x 96h x 24"d - Double Door Pantry - Upper Opening 39 1/2"h - Bottom Opening 47"h
PC3084	30"w x 84h x 24"d - Double Door Pantry - Upper Opening 27 1/2"h - Bottom Opening 47"h
PC3090	30"w x 90h x 24"d - Double Door Pantry - Upper Opening 33 1/2"h - Bottom Opening 47"h
PC3096	30"w x 96h x 24"d - Double Door Pantry - Upper Opening 39 1/2"h - Bottom Opening 47"h
PC3684	36"w x 84h x 24"d - Double Door Pantry - Upper Opening 27 1/2"h - Bottom Opening 47"h
PC3690	36"w x 90h x 24"d - Double Door Pantry - Upper Opening 33 1/2"h - Bottom Opening 47"h
PC3696	36"w x 96h x 24"d - Double Door Pantry - Upper Opening 39 1/2"h - Bottom Opening 47"h



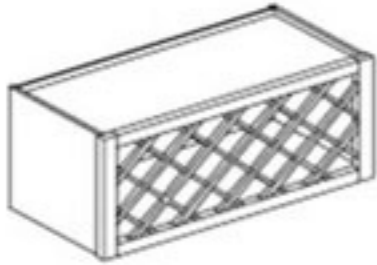
OVEN PANTRIES

OC2884D	28"w x 84"h x 24"d - Oven Pantry - double opening - fits 27" ovens
OC2890D	28"w x 90"h x 24"d - Oven Pantry - double opening - fits 27" ovens
OC2896D	28"w x 96"h x 24"d - Oven Pantry - double opening - fits 27" ovens
OC3184S	31"w x 84"h x 24"d - Oven Pantry - single opening - fits 30" ovens
OC3190S	31"w x 90"h x 24"d - Oven Pantry - single opening - fits 30" ovens
OC3196S	31"w x 96"h x 24"d - Oven Pantry - single opening - fits 30" ovens



NOTE—Oven pantries come with large open area where the ovens fit in— these areas will usually need to be customized to fit the oven setup—additional filler pieces, etc may be needed to accommodate the customization

SPECIALITY CABINETS



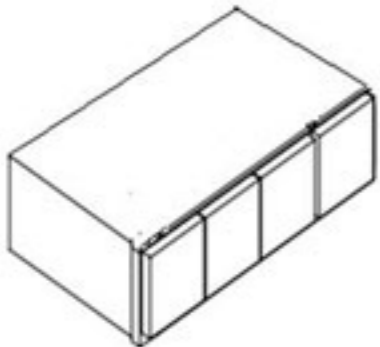
WINE RACK CABINET

WWR3015 30" x 15" Wine Rack with Cross Bars and Stem Ware Hanging Slots (same as WWR1530)



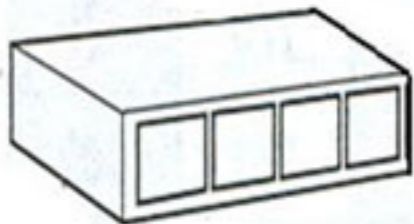
PLATE RACK CABINET

WPR3015 30"w x 15"h x 12"d - Wall Plate Rack



DECORATIVE DRAWER WALL CABINET

WDR3006 Decorative Drawer 6"h x 30" w - with 5 drawers



OPEN SLOT WALL CABINET

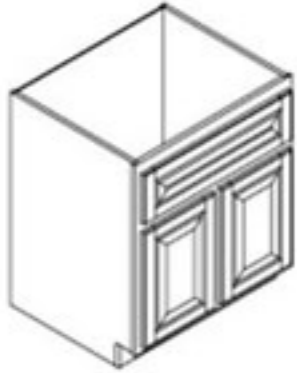
WR0630 6"w x 30"h x 12"d Wall Open Slot (same as WR3006)

WR0636 6"w x 36"h x 12"d Wall Open Slot (same as WR3606)

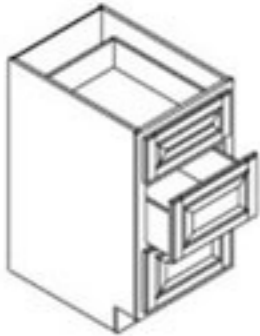
WR0642 6"w x 42"h x 12"d Wall Open Slot (same as WR4206)

BATHROOM VANITIES

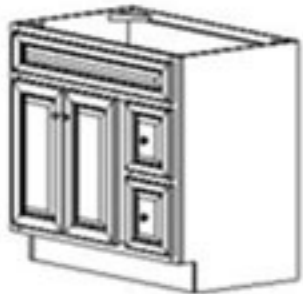
NOTE – **Ginger Glaze, Vintage Glaze and Chestnut Shaker styles are 33 1/2" (h).** **Ginger Glaze and Vintage Glaze** come with under mount, full extension, self/soft close glides; **Chestnut Shaker** comes with side mount, stainless steel, full extension glides. All other styles are 30 1/2" (h) and come with side mount, stainless steel, full extension glides (except the Oak line of cabinets which have side mount, Euro style, roller glides).



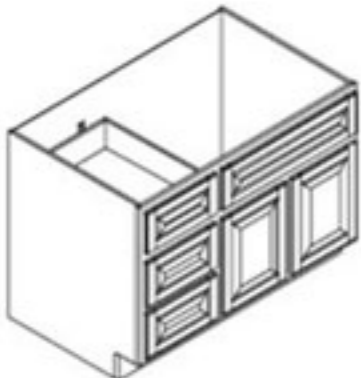
- V2421 24"w x 30 1/2"h x 21"d - Vanity Double Door Base (open back for easy plumbing access)
- V2721 27"w x 30 1/2"h x 21"d - Vanity Double Door Base (open back for easy plumbing access)
- V3021 30"w x 30 1/2"h x 21"d - Vanity Double Door Base (open back for easy plumbing access)
- V3621 36"w x 30 1/2"h x 21"d - Vanity Double Door Base (open back for easy plumbing access)



- VDB1221 12"w x 30 1/2"h x 21"d - Vanity 3 Drawer Base Unit
- VDB1521 15"w x 30 1/2"h x 21"d - Vanity 3 Drawer Base Unit
- VDB1821 18"w x 30 1/2"h x 21"d - Vanity 3 Drawer Base Unit

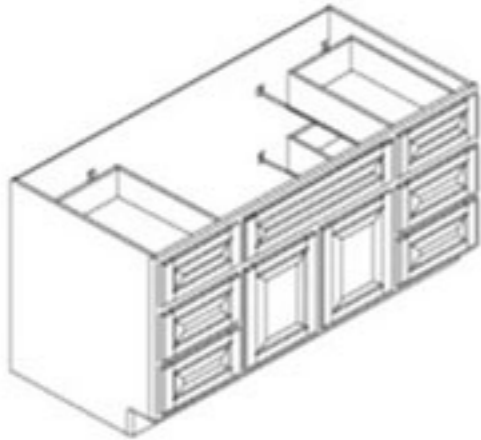


- VSD3021 30"w x 30 1/2"h x 21"d - Vanity with Side Drawer Base Unit - specify drawers on left or right

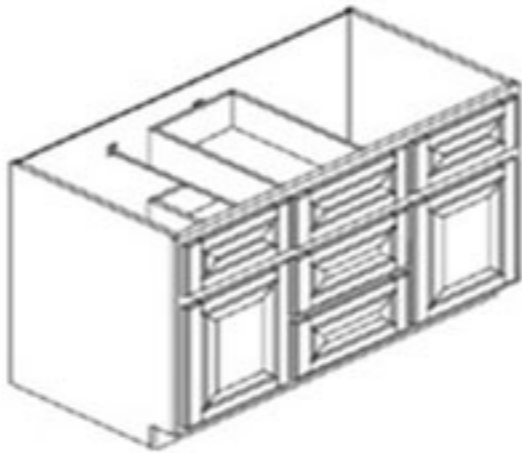


- VSD3621 36"w x 30 1/2"h x 21"d - Vanity with Side Drawer Base Unit - specify drawers on left or right
- VSD4221 42"w x 30 1/2"h x 21"d - Vanity with Side Drawer Base Unit - specify drawers on left or right

BATHROOM VANITIES—Continued



- VSD4821 48"w x 30 1/2"h x 21"d - Vanity with Side Drawers Base Unit - Drawer/Sink/Drawer
- VSD5421 54"w x 30 1/2"h x 21"d - Vanity with Side Drawers Base Unit - Drawer/Sink/Drawer
- VSD6021 60"w x 30 1/2"h x 21"d - Vanity with Side Drawers Base Unit - Drawer/Sink/Drawer



- VCD6021 60"w x 30 1/2"h x 21"d - Vanity with Center Drawer Base Unit-Sink/Drawer/Sink

ACCESSORIES



BASE SKIN

BSK24x34.5 1/4" Wood Veneer - 34.5"h x 24"d

NOTE— Frameless cabinets use End Panel that is 3/4"
- I-PNL24x34.5



WALL SKIN

WSK12X30 1/4" Wood Veneer - 12"w x 30"h

WSK12X36 1/4" Wood Veneer - 12"w x 36"h

WSK12X42 1/4" Wood Veneer - 12"w x 42"h

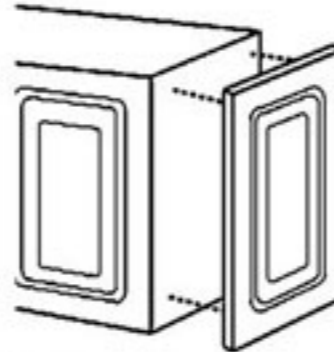
NOTE— Frameless cabinets use End Panel that is 3/4"
- W-PNL12x30 or 12x36 or 12x42



ISLAND SKIN

PNL96X34.5 1/4" Wood Veneer - 34.5"h x 8' long

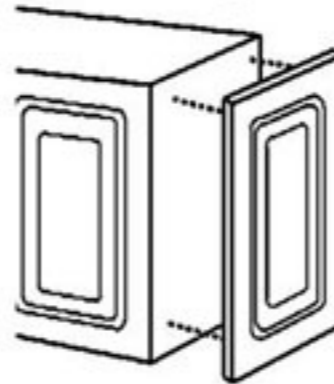
PNL48v34.5 1/4" Wood Veneer - 34.5"h x 4' long



DECORATIVE BASE END PANEL

MBEP Base End Decorative Panel - Matches Door style

NOTE—ONLY available for Ginger Glaze, Modern
Chocolate, Bordeaux Cherry and Vintage Glaze styles -
Now also available in Chestnut Shaker



DECORATIVE WALL END PANEL

MWEP30 Wall 30" End Panel - Matches Door Style

MWEP36 Wall 36" End Panel - Matches Door Style

MWEP42 Wall 36" End Panel - Matches Door Style

NOTE—ONLY available for Ginger Glaze, Modern
Chocolate, Bordeaux Cherry and Vintage Glaze styles -
Now also available in Chestnut Shaker



TALL SKIN

skinPNL96X24 1/4" Wood Veneer 24"w x 8' long

NOTE— Frameless cabinets use End Panel that is 3/4"
- I-PNL96x24



DISH WASHER PANEL

DWPNL24 1/2" x 34.5"h x 24"d Dish Washer Panel

- requires Base Skin and filler to finish off



REFRIGERATOR PANEL

REPNL 96x24 1/2" Plywood Panel with vinyl veneer finish - 24" w x 8' long

- requires Filler F96x1 1/2" - and may want to use Tall Skin Panel for finished look



BASE FILLER

BF3 3"w x 34.5"h Solid Wood Base Filler



WALL FILLERS

WF330 3"w x 30"h Solid Wood Wall Filler
 WF336 3"w x 36"h Solid Wood Wall Filler
 WF342 3"w x 42"h Solid Wood Wall Filler



DECORATIVE FILLERS

BS3 3"w x 34.5" Solid Wood - Base Decorative Filler with Rosett Design

WFS330 3" Solid Wood - Wall Decorative Fluted Filler with Rosette Design - 30"h
 WFS336 3" Solid Wood - Wall Decorative Fluted Filler with Rosette Design - 36"h
 WFS342 3" Solid Wood - Wall Decorative Fluted Filler with Rosette Design - 42"h



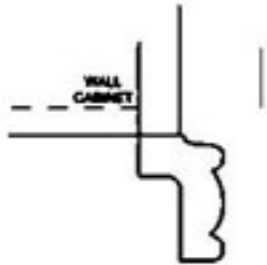
TALL FILLERS - 96" h

F96X1 1/2 1 1/2"w x 96"h Solid Wood Filler with Groove to fit 1/2" panels

F96X3 3"w x 96"h Solid Wood Filler without Groove and without toekick

DECORATIVE TALL FILLER - 96" h

FS96x3 3"w x 96" - Solid Wood Base Decorative Filler with Rosette Design (with toe kick)



UNDER CABINET LIGHT RAIL MOLDING

LM8 7/8" x 1 1/4" x 8' long Under Cabinet Light Rail Molding



TOE KICK

TK8 4 3/8"w x 8' long Toe Kick

CROWN MOLDING



STANDARD CROWN MOLDING

CM 1 5/8 (~ 1 1/4" installed) Crown Molding - 8' long - No Joints.



CLASSIC WIDE CROWN MOLDING

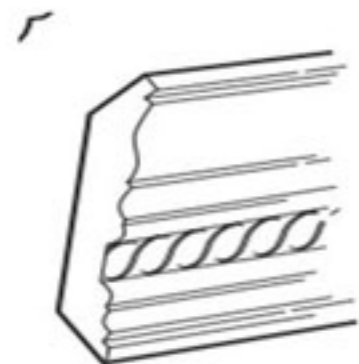
CM 2 3/4 (~ 2 1/4" installed) Crown Molding - 8" long - No Joints

Modern Chocolate only



STRAIGHT EDGE CROWN MOLDING

ACM8 (~ 2 1/4" installed) Crown Molding with straight edges - 8" long - No Joints
For Metro Shaker and Chestnut Shaker only - no picture available



DECORATIVE CROWN MOLDING

SSCCM8+SSDM8 (~ 1 5/8" installed) Crown Molding with **Rope** Design - 8' long - No Joints.

CM8+DM8 (~ 2 3/4" installed) Crown Molding with **Rope** Design - 8' long - No Joints.

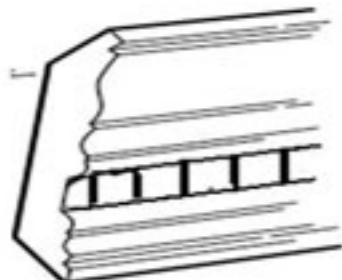


Rope Design Molding

SCCM8+SDN8 (~ 1 3/4" installed) Crown Molding with **Dentil** Design - 8' long - No Joints



Dentil Design Molding



NOTE - Rope and Dentil Decorative Molding is pre-attached to Crown Molding



SM8

SCRIBE MOLDING

3/4"w x 8' long - Scribe Molding



VALANCES

Valance 48

Valance 5"h x 48" long

Valance 60

Valance 6"h x 60" long

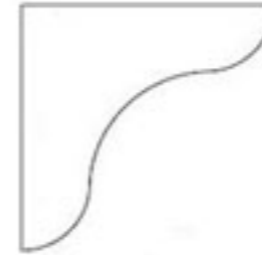
Comes with cut outs design throughout



OCM8

CORNER MOLDING

8' long V-Shape Outside Corner Molding



CORBELS

Corbel Standard Corbel - 1"w x 11"h x 7 1/2"d

Solid wood - no design



DECORATIVE POSTS

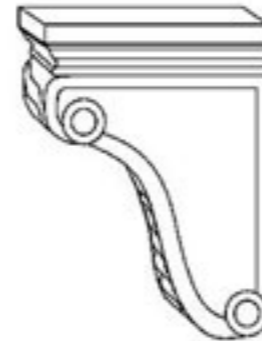
SP330.S

Decorative Split Post 3 x 34.5

Requires backing with Base Filler

SP3x3x34.5

Decorative Full Post 3" x 3" x 34.5" h



Decorative Large Corbel -

LRC 6 1/4"w x 9 1/8"h x 6 1/4" d

Solid wood, hand carved - Curved design

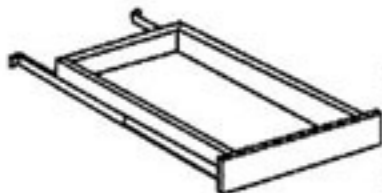


Decorative Small Corbel -

SRC 3" w x 8"h x 5"d

Solid wood, hand carved - Curved design

ROLL OUT TRAYS



ROT18

Roll Out Trays for 18"w (or 15") Base/Pantry - 4" Wood Sides; Plywood Bottom; w/ Side Mount Roller Guides

ROT24

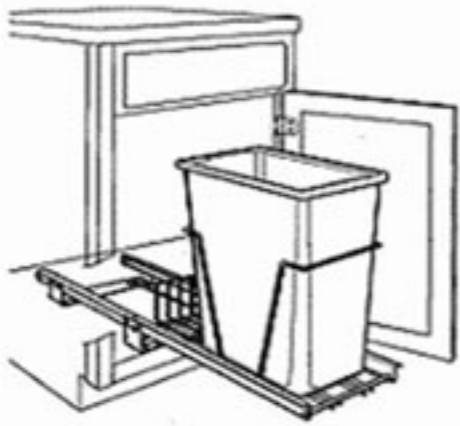
Roll Out Trays for 24"w (or 21") Base/Pantry - 4" Wood Sides; Plywood Bottom; w/ Side Mount Roller Guides

ROT30

Roll Out Trays for 30"w (or 27") Base/Pantry - 4" Wood Sides; Plywood Bottom; w/ Side Mount Roller Guides

ROT36

Roll Out Trays for 36"w (or 33") Base/Pantry - 4" Wood Sides; Plywood Bottom; w/ Side Mount Roller Guides



TRASH CONTAINER PULL_OUT - 1 AND 2 CONTAINER SYSTEMS

- **2 Bin System for B18 cabinets— modification with W1830 door may be necessary in all lines except Arched Maple, Arched Cinnamon, Town & Country and Classic Oak styles**
- **Standard close and Self/Soft Close styles available**
- **1 Bin System for B15 cabinets—same as above**



SINK BASE TILT OUT TRAY